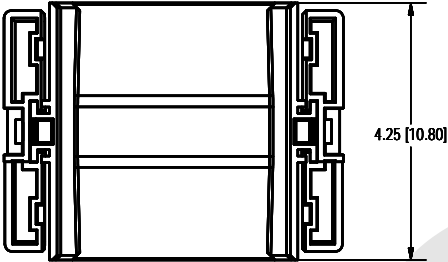
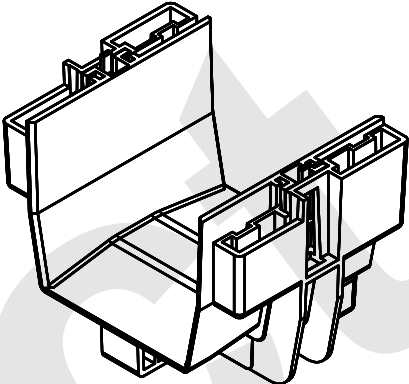


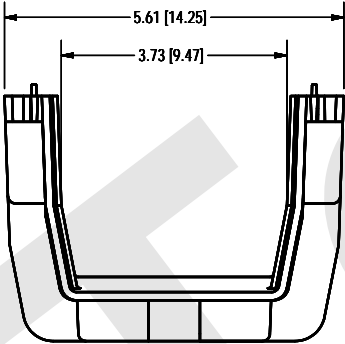
- NOTES: (UNLESS OTHERWISE SPECIFIED).
- 1. DIMENSIONS ARE IN INCHES [CENTIMETERS].
 - 2. DIMENSIONS ARE FOR REFERENCE ONLY.
 - 3. MOUNTING CLIPS SHIPPED WITH UNIT.



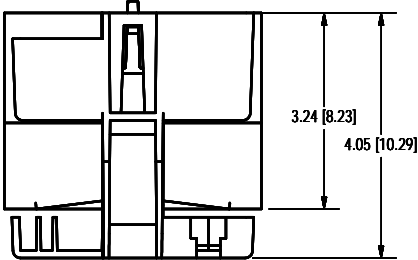
TOP VIEW



ISOMETRIC VIEW



FRONT VIEW



SIDE VIEW

Part Number 027-2000-4007 Shown