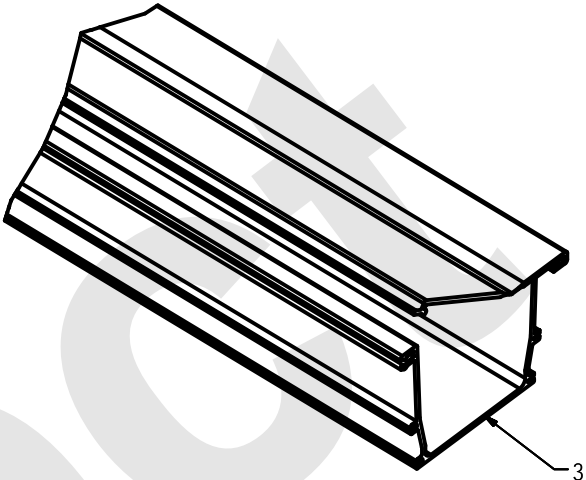
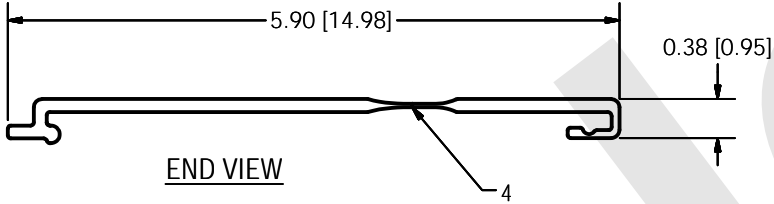


**NOTES:** (UNLESS OTHERWISE SPECIFIED.)

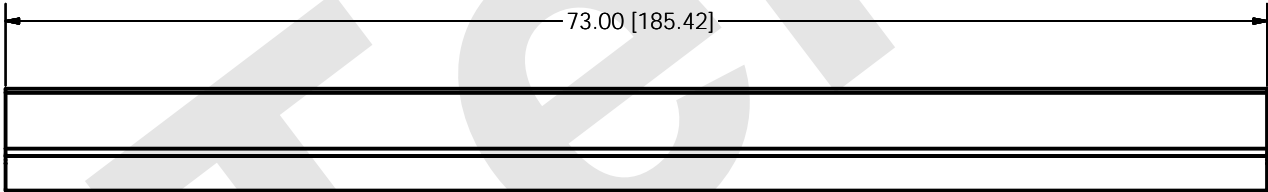
- 1. DIMENSIONS ARE IN INCHES [CENTIMETERS].
- 2. DIMENSIONS ARE FOR REFERENCE ONLY.
- 3 TROUGH SHOWN FOR REFERENCE ONLY.  
ORDERED SEPERATELY.
- 4 FLEXIBLE HINGE INCORPORATED INTO LID.



APPLICATION VIEW



END VIEW



TOP VIEW

**Part Number 027-2000-4002 Shown**