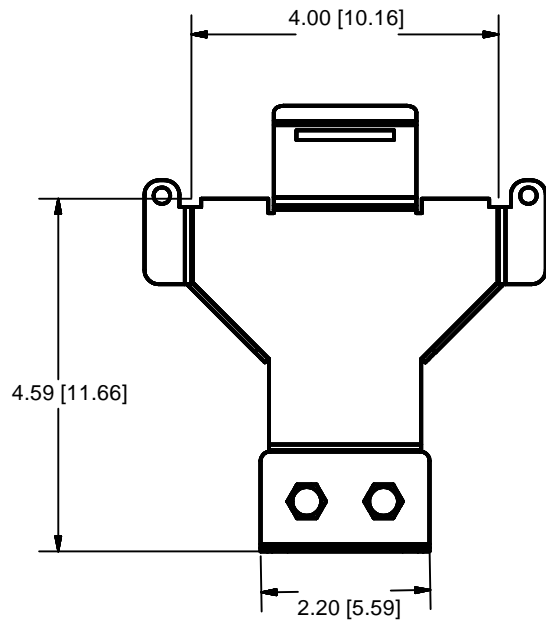
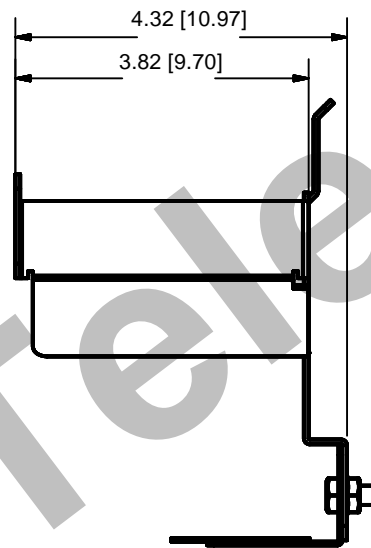


NOTES: (UNLESS OTHERWISE SPECIFIED.)

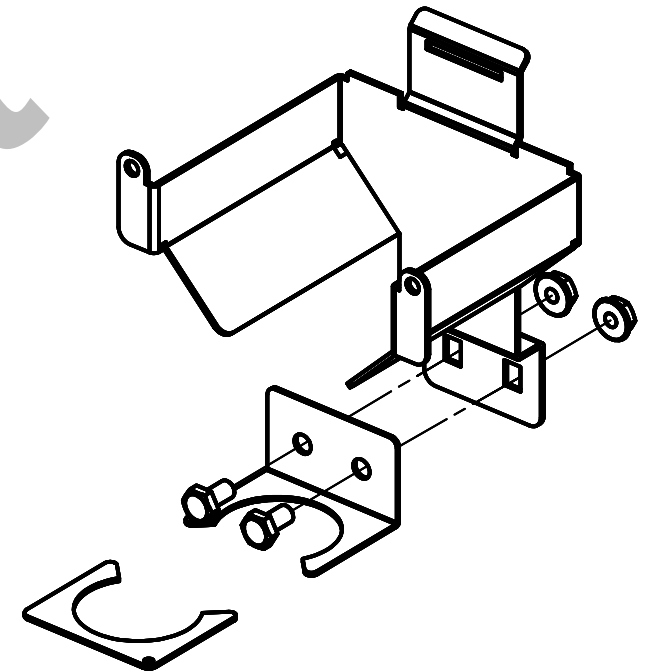
1. DIMENSIONS ARE IN INCHES [CENTIMETERS].
2. DIMENSIONS ARE FOR REFERENCE ONLY.
3. HARDWARE INCLUDED WITH EACH KIT.
4. KIT ACCOMMODATES 2" SPLIT WALL TUBING, PN 027-2900-0020, ORDERED SEPERATELY.



FRONT VIEW



SIDE VIEW



ISOMETRIC VIEW
EXPLODED

Part Number 027-2000-2000 Shown Above