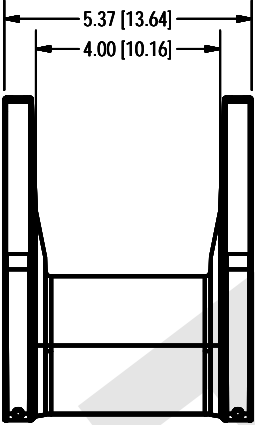
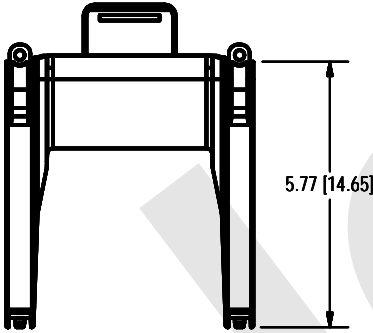


NOTES: (UNLESS OTHERWISE SPECIFIED.)

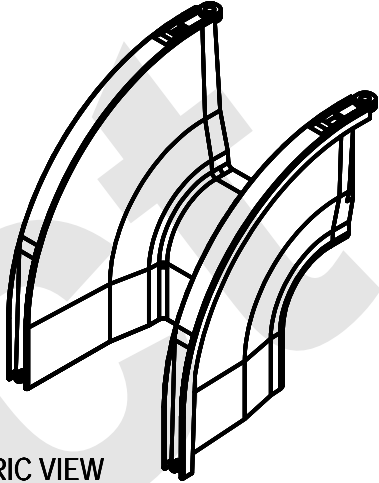
- 1. DIMENSIONS ARE IN INCHES [CENTIMETERS].
- 2. DIMENSIONS ARE FOR REFERENCE ONLY.
- 3 CUSTOMER PART NUMBER MOLDED INTO THIS SURFACE.



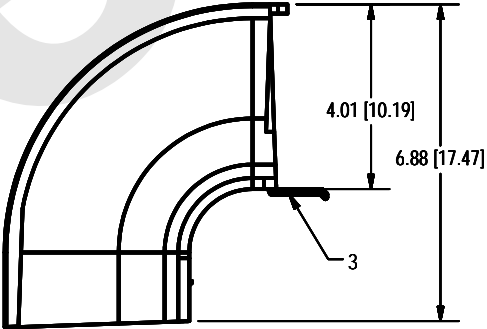
FRONT VIEW



TOP VIEW



ISOMETRIC VIEW



SIDE VIEW

Part Number 027-2000-4077 Shown