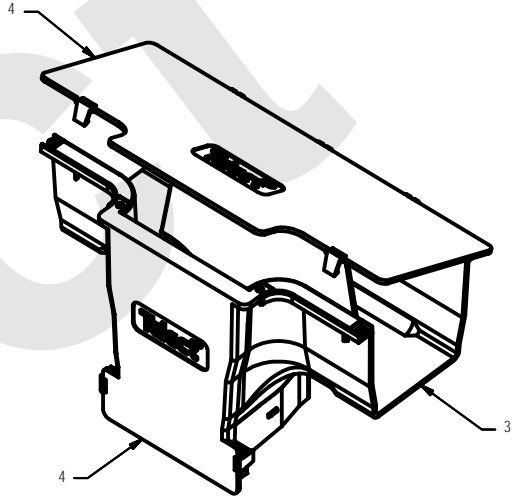
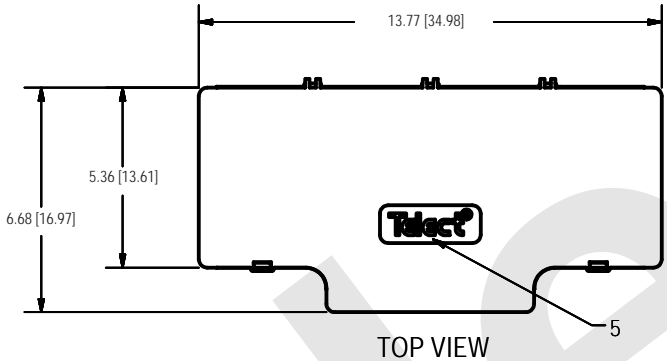
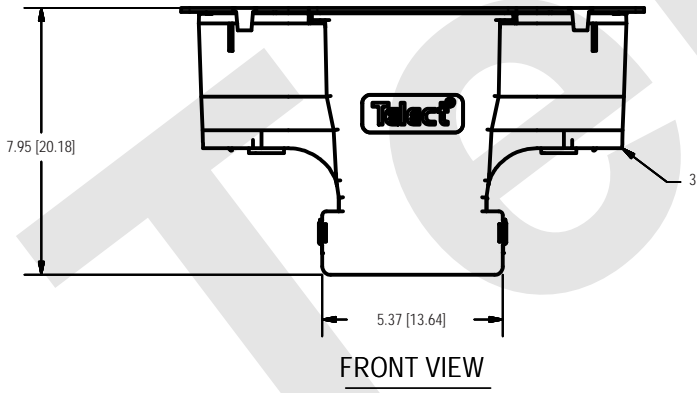


NOTES: (UNLESS OTHERWISE SPECIFIED).

- 1. DIMENSIONS ARE IN INCHES [CENTIMETERS].
- 2. DIMENSIONS ARE FOR REFERENCE ONLY.
- 3. TRANSITION SHOWN FOR REFERENCE ONLY.
- 4. LIDS (1 EACH) INCLUDED IN KIT.
- 5. CUSTOMER PART NUMBER MOLDED INTO THIS SURFACE.



ISOMETRIC VIEW



Part Number 027-2000-4027 Shown