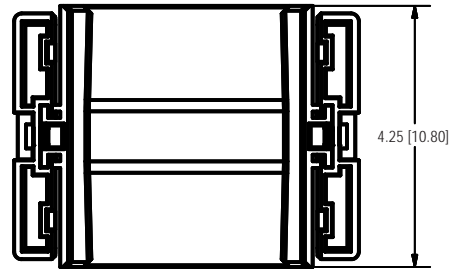
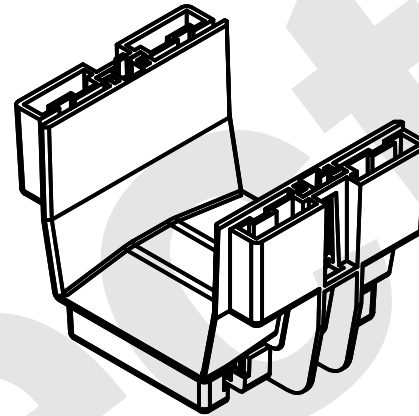


NOTES: (UNLESS OTHERWISE SPECIFIED).

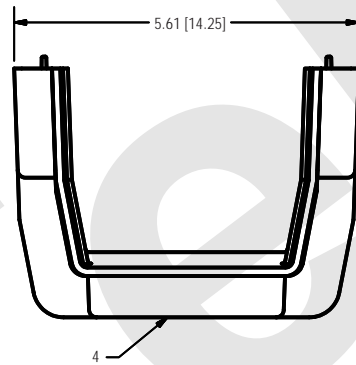
1. DIMENSIONS ARE IN INCHES [CENTIMETERS].
2. DIMENSIONS ARE FOR REFERENCE ONLY.
3. MOUNTING CLIPS SHIPPED WITH UNIT.
4. CUSTOMER PART NUMBER MOLDED INTO THIS SURFACE.



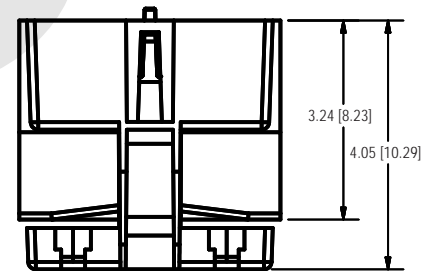
TOP VIEW



ISOMETRIC VIEW



FRONT VIEW



SIDE VIEW

Part Number 027-2000-4099 Shown