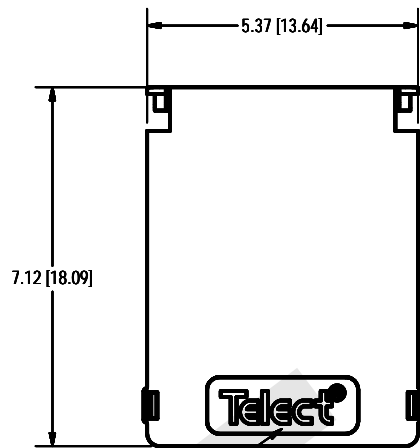
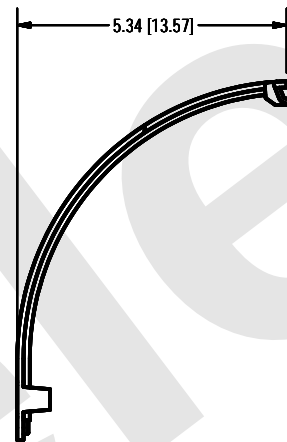


NOTES: (UNLESS OTHERWISE SPECIFIED.)

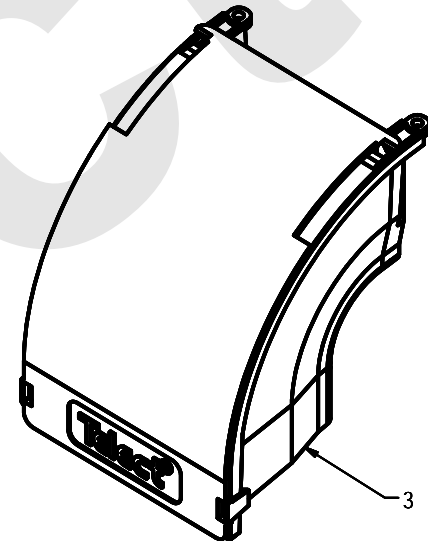
1. DIMENSIONS ARE IN INCHES [CENTIMETERS].
2. DIMENSIONS ARE FOR REFERENCE ONLY.
3. TRANSITION SHOWN FOR REFERENCE. ORDERED SEPERATELY.
4. CUSTOMER PART NUMBER MOLDED INTO THIS SURFACE.



FRONTVIEW



SIDE VIEW



ISOMETRIC VIEW

Part Number 027-2000-4078 Shown