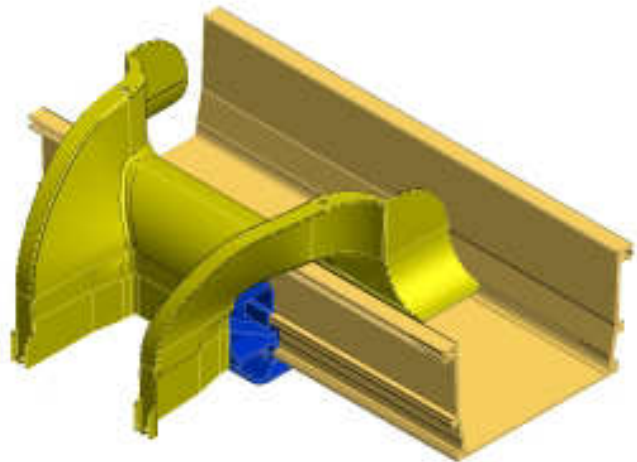



- Can be mounted at any trough location.
- Low profile design, only 3.31" above the trough
- Depth from inside trough to inside off-ramp drop 2.72", total depth 9.14"
- The shortest standard center to center mounting distance between two off-ramps is 12.9"
- Recommended/max density of 1300/2000 2mm fibers, 570/860 3mm fibers
- Mounts to the bottom portion of the trough which puts less force on the trough sidewall
- Installed with two captive screws.
- Can also be mounted with a universal bracket for additional support.
- Mounts to competitor trough with the use of a universal bracket
- UL 94-VO Blue Angel
- Maintains a 1.5" bend radius throughout.
- Mounts on 4", 6", 8" and 12" trough
- Color: yellow with blue bracket.
- Passed a 50lb pull test mounted to 6" trough
- Passed a 85lb pull test with a universal bracket and 6" trough supporting it
- Weight 1 lb



		N 2111 Molter Road PO Box 665 Liberty Lake, Washington 99019 (509) 926-6000 WWW.TELECT.COM	
TITLE		TELECT PRODUCT SPECIFICATION	
		WAVETRAX, OFFRAMP II	
DRAWING NO		027-2000-4065	
