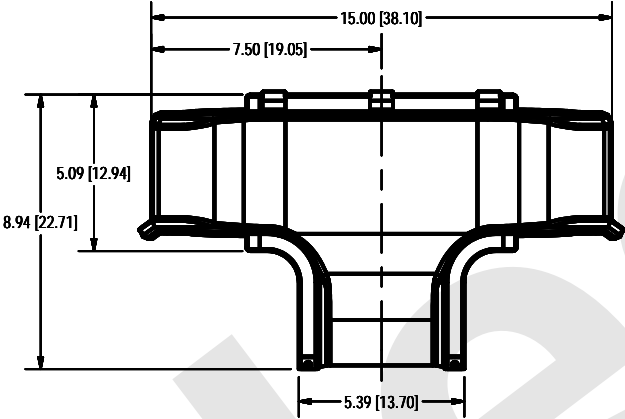
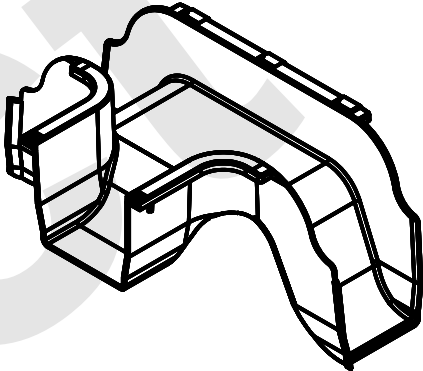


NOTES: (UNLESS OTHERWISE SPECIFIED.)

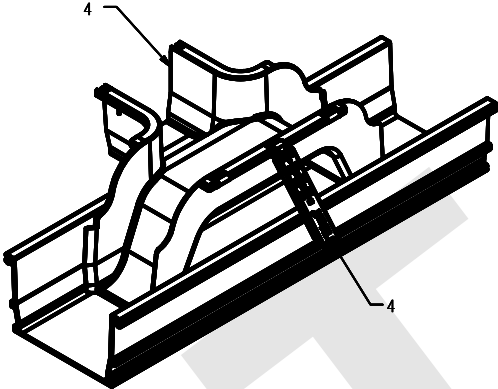
- 1. DIMENSIONS ARE IN INCHES [CENTIMETERS].
- 2. DIMENSIONS ARE FOR REFERENCE ONLY.
- 3. CUSTOMER PART NUMBER MOLDED INTO OPPOSITE SIDE OF THIS SURFACE.
- 4. KIT INCLUDES OFF RAMP AND SLIDE BRACKET. TROUGH ORDERED SEPERATELY.



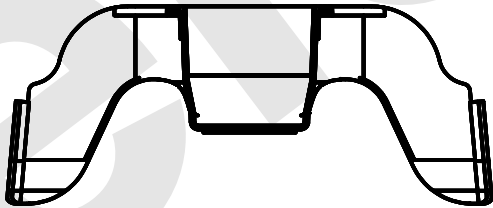
TOP VIEW



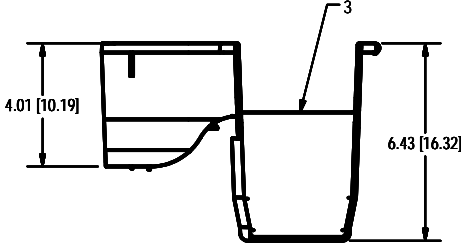
ISOMETRIC VIEW



CUSTOMER APPLICATION



FRONT VIEW



SIDE VIEW

Part Number 027-2000-4055 Shown