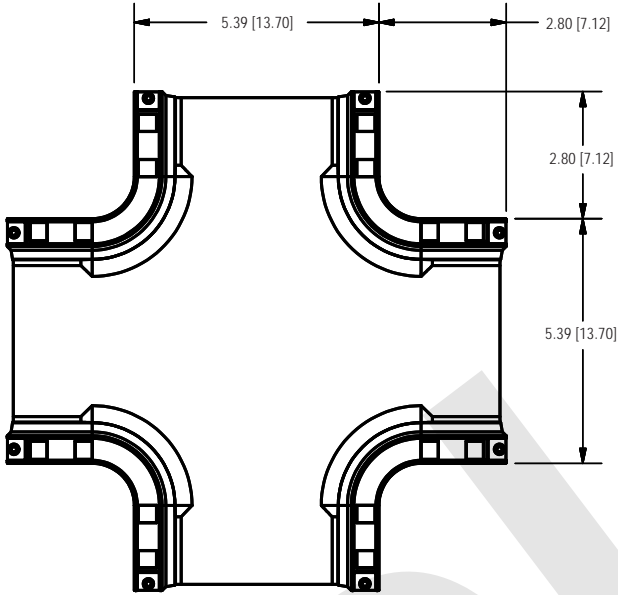
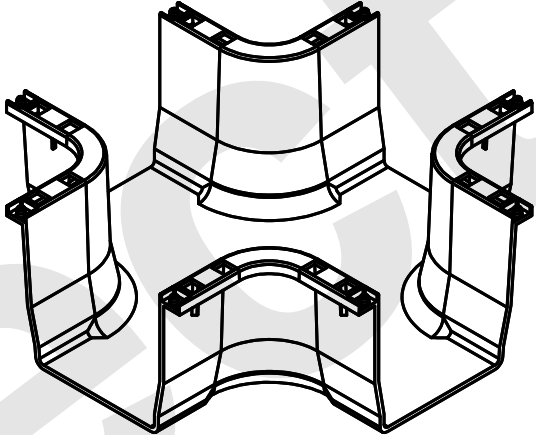


NOTES: (UNLESS OTHERWISE SPECIFIED).

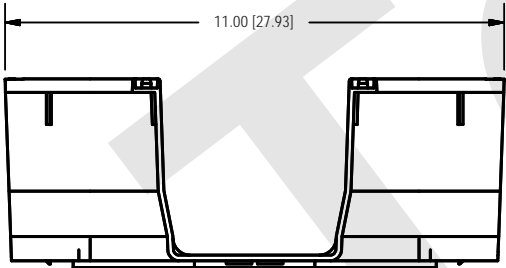
- 1. DIMENSIONS ARE IN INCHES [CENTIMETERS].
- 2. DIMENSIONS ARE FOR REFERENCE ONLY.
- 3. CUSTOMER PART NUMBER MOLDED IN THIS SURFACE.



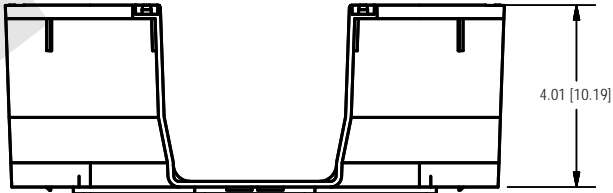
TOP VIEW



ISOMETRIC VIEW



FRONT VIEW



SIDE VIEW

Part Number 027-2000-4030 Shown