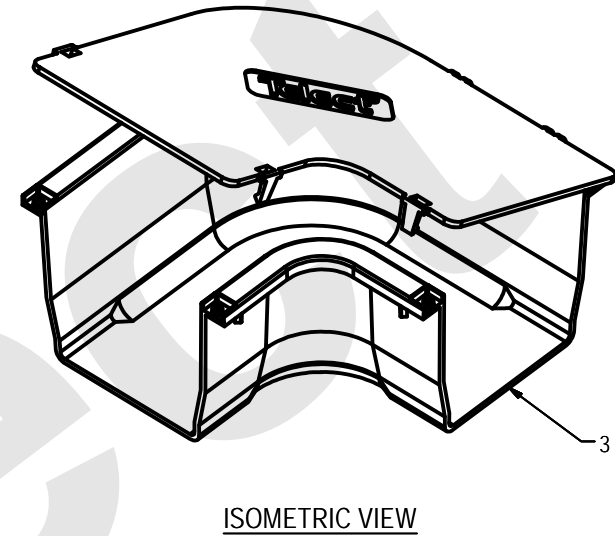
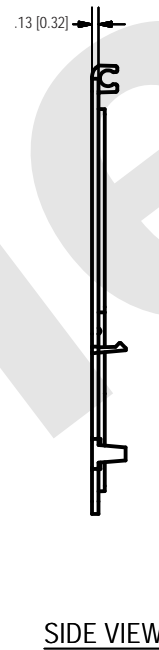
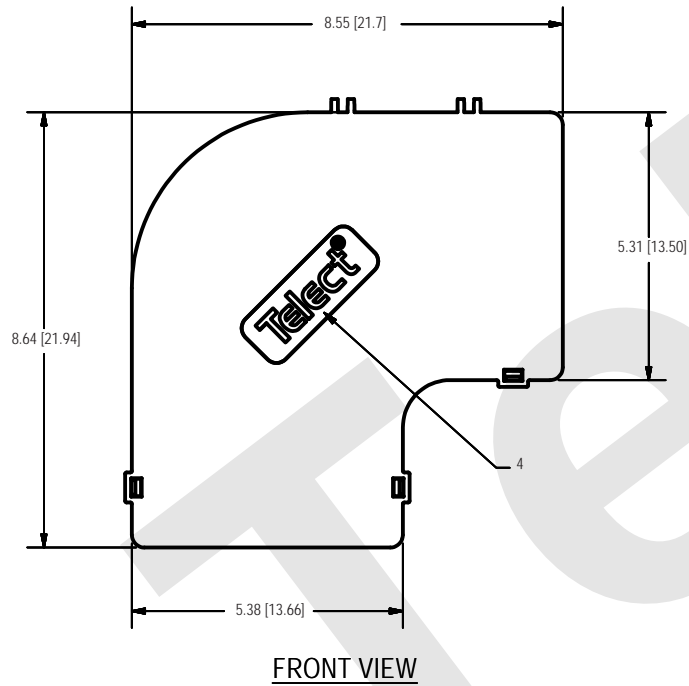


NOTES: (UNLESS OTHERWISE SPECIFIED).

1. DIMENSIONS ARE IN INCHES [CENTIMETERS].
2. DIMENSIONS ARE FOR REFERENCE ONLY.
3. TRANSITION SHOWN FOR REFERENCE. ORDERED SEPERATELY.
4. CUSTOMER PART NUMBER MOLDED INTO THIS SURFACE.



Part Number 027-2000-4025 Shown