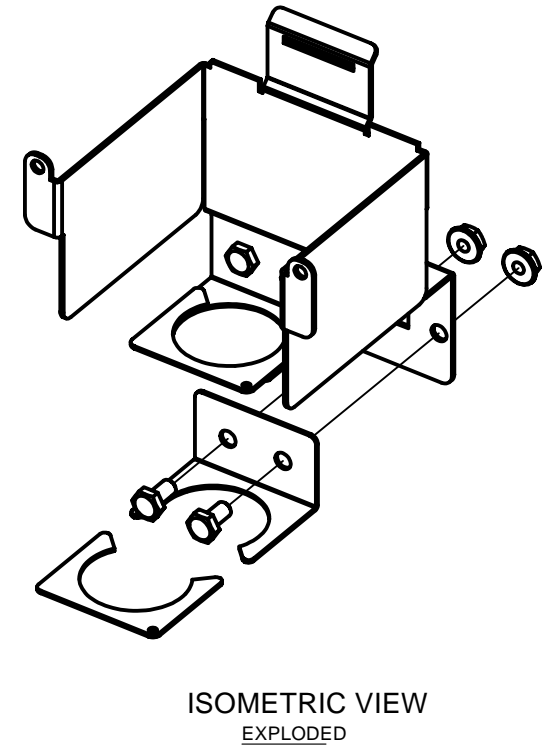
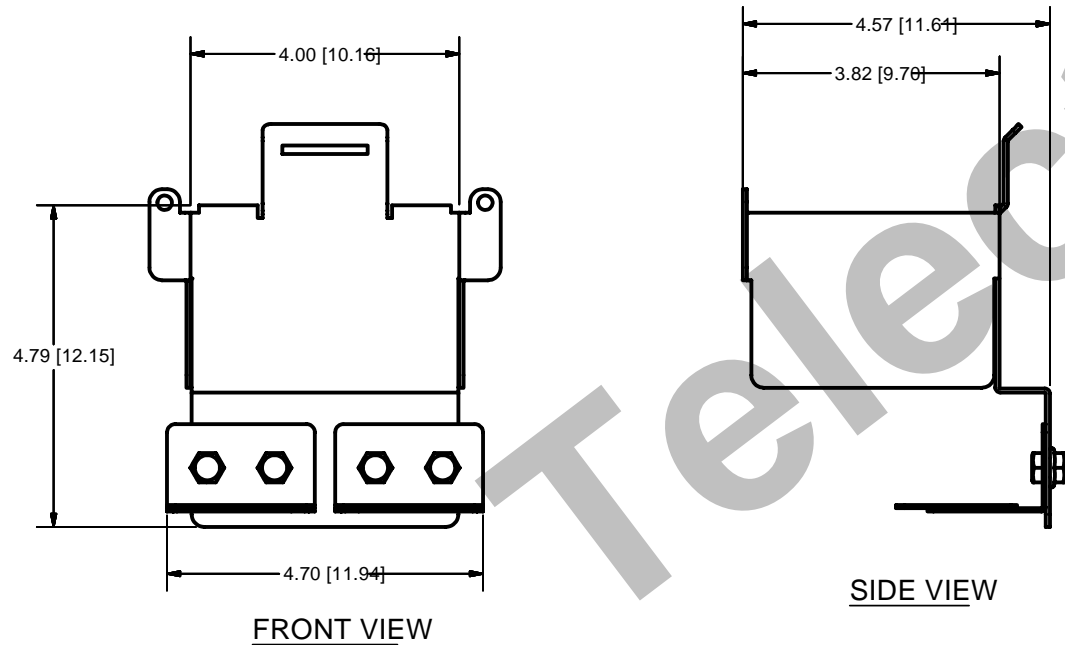


NOTES (UNLESS OTHERWISE SPECIFIED.)

1. DIMENSIONS ARE IN INCHES [CENTIMETERS].
2. DIMENSIONS ARE FOR REFERENCE ONLY.
3. HARDWARE INCLUDED WITH EACH KIT.
4. KIT ACCOMMODATES 2" SPLIT WALL TUBING, PN 027-2900-0020, ORDERED SEPERATELY.



Part Number 027-2000-4016 Shown Above