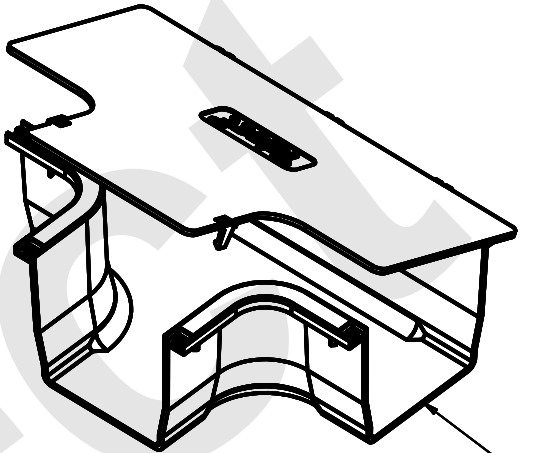
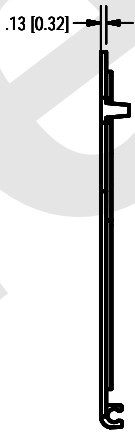
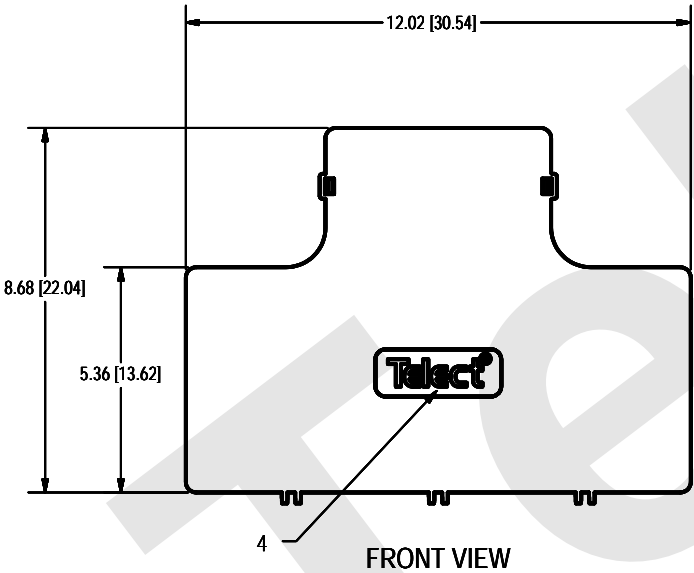


NOTES: (UNLESS OTHERWISE SPECIFIED.)

- 1. DIMENSIONS ARE IN INCHES [CENTIMETERS].
- 2. DIMENSIONS ARE FOR REFERENCE ONLY.
- 3 TRANSITION SHOWN FOR REFERENCE.  
ORDERED SEPERATELY.
- 4 CUSTOMER PART NUMBER MOLDED INTO  
THIS SURFACE.



ISOMETRIC VIEW  
APPLICATION

**Part Number 027-2000-4011 Shown**