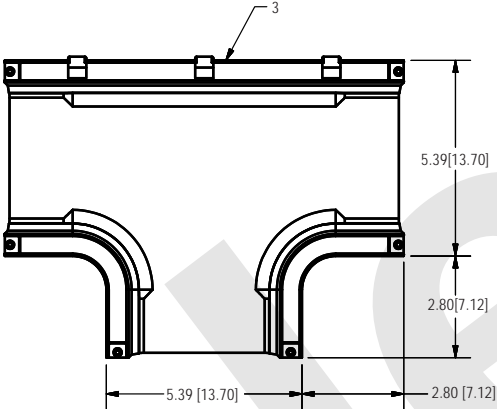
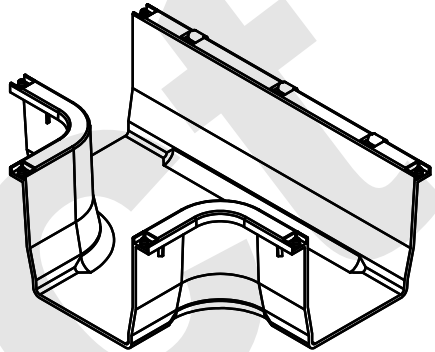


NOTES: (UNLESS OTHERWISE SPECIFIED).

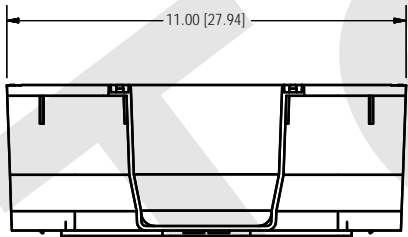
- 1. DIMENSIONS ARE IN INCHES [CENTIMETERS].
- 2. DIMENSIONS ARE FOR REFERENCE ONLY.
- 3. CUSTOMER TO LOCATE LABEL ON DESIGNATED SIDE OF PRODUCT.
- 4. CUSTOMER PART NUMBER MOLDED INTO THIS SURFACE.



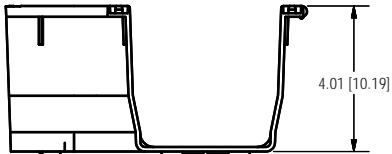
TOP VIEW



ISOMETRIC VIEW



FRONT VIEW



RIGHT SIDE VIEW

Part Number 027-2000-4010 Shown