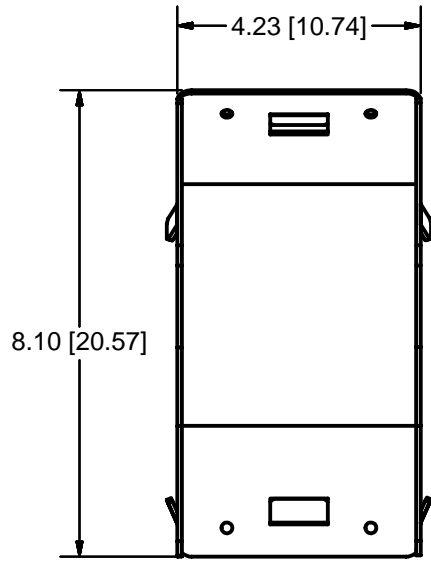
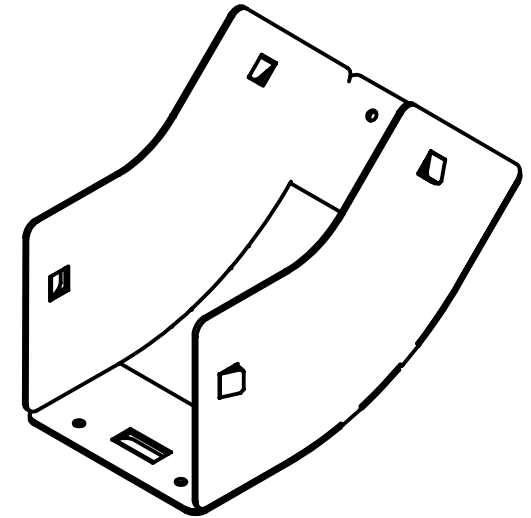


**NOTES:** (UNLESS OTHERWISE SPECIFIED.)

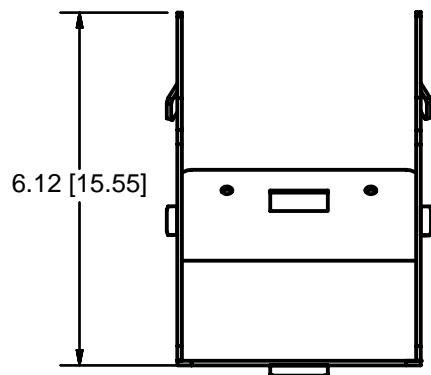
1. DIMENSIONS ARE IN INCHES [CENTIMETERS].
2. DIMENSIONS ARE FOR REFERENCE ONLY.



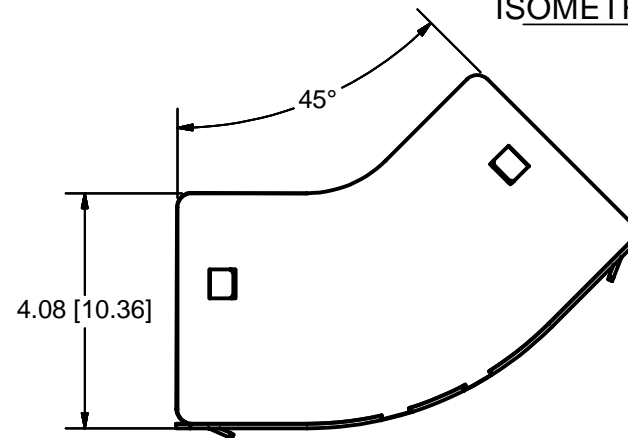
TOP VIEW



ISOMETRIC VIEW



END VIEW



SIDE VIEW

Part Number 027-1000-4487 Shown Above